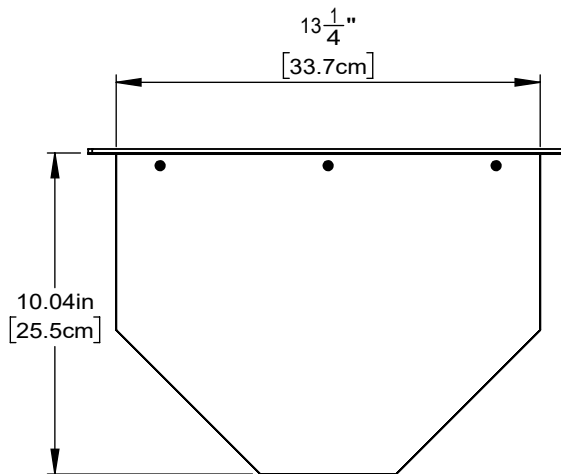
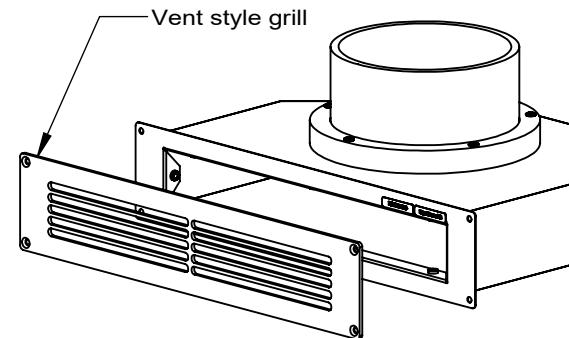


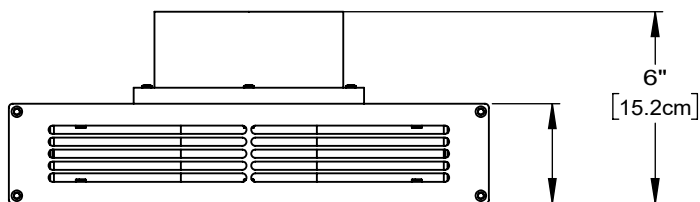
Top view



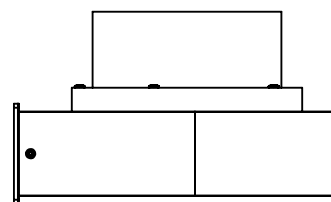
Bottom view



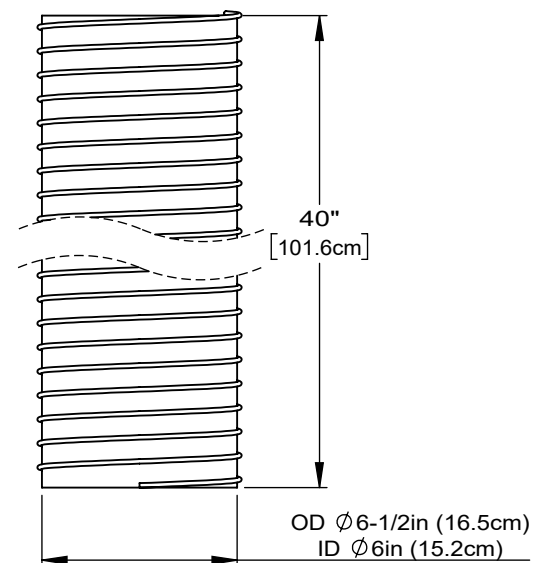
Vent style grill



Front view



Right view



Flex tubing

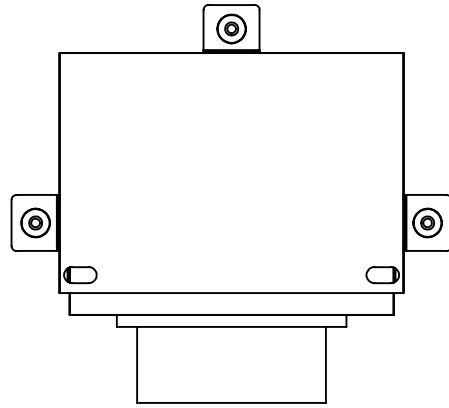
v1.0

TRIAD
 15835 NE CAMERON BLVD
 PORTLAND, OR 97230
www.triadaudio.com
 503-256-2600

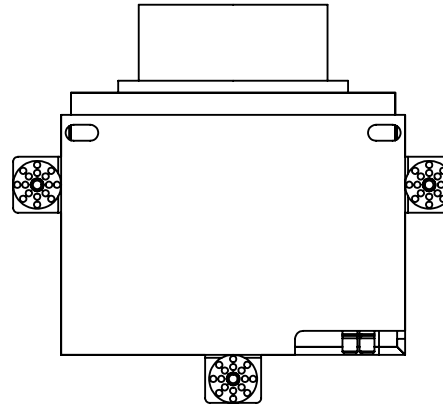
Mini FlexSub Vent Style Grill

Copyright ©2018, Control4 Corporation. All rights reserved. Control4, the Control4 logo, the 4-ball logo, Triad, and the Triad logo, are registered trademarks or trademarks of Control4 Corporation or its subsidiaries in the United States and/or other countries. All other names and brands may be claimed as the property of their respective owners. All specifications subject to change without notice

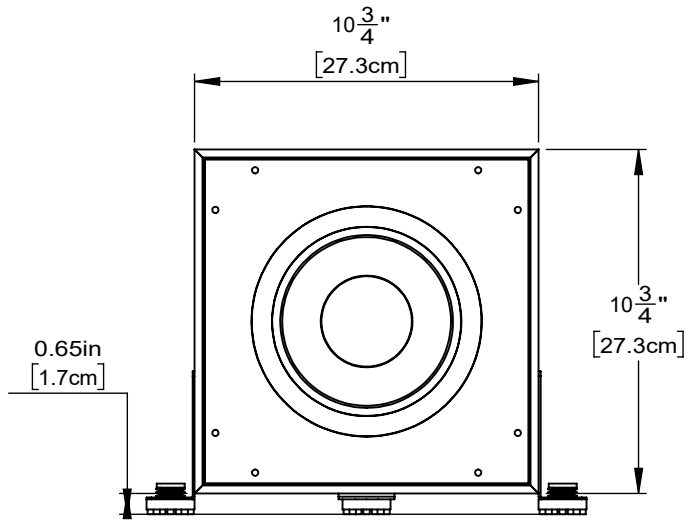
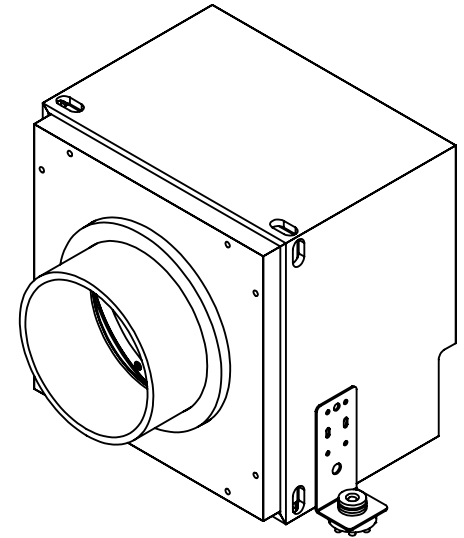




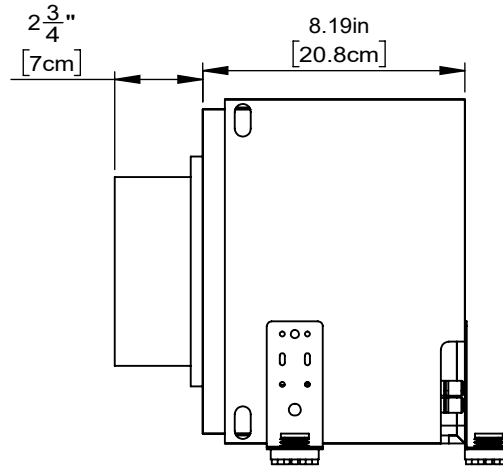
Top view



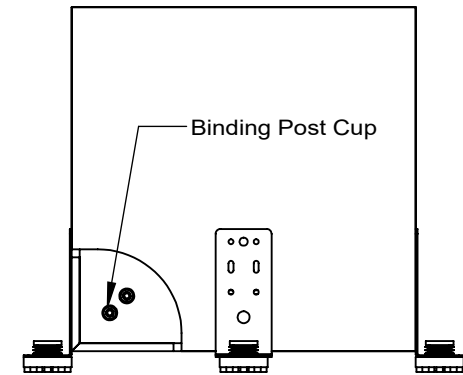
Bottom view



Front view



Right view



Binding Post Cup

Back view

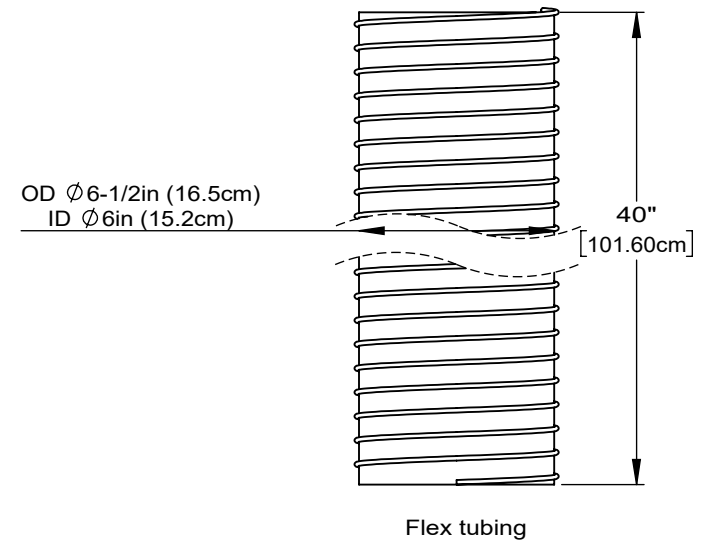
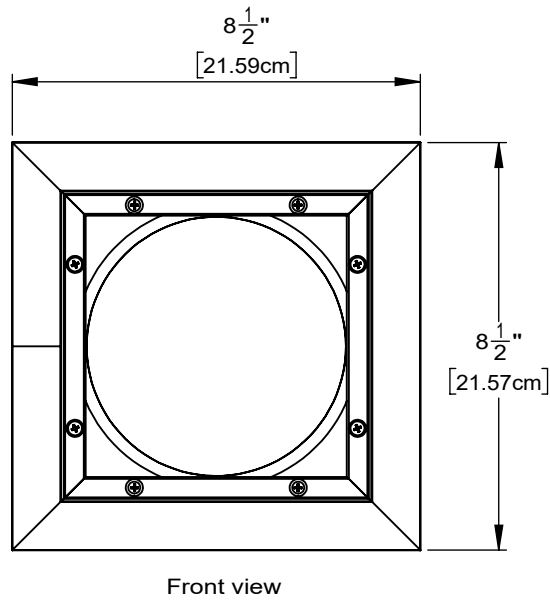
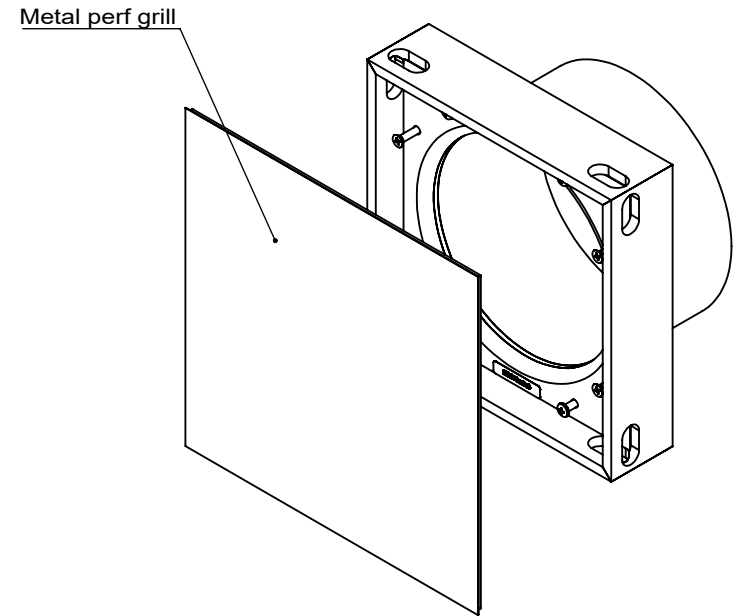
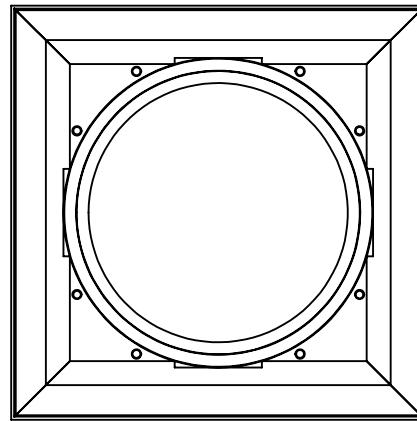
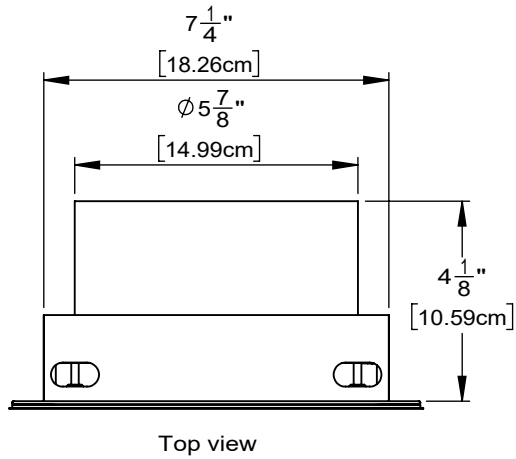
v1.0

TRIAD
 15835 NE CAMERON BLVD
 PORTLAND, OR 97230
www.triadaudio.com
 503-256-2600

Mini FlexSub Vent Style Grill

Copyright ©2018, Control4 Corporation. All rights reserved. Control4, the Control4 logo, the 4-ball logo, Triad, and the Triad logo, are registered trademarks or trademarks of Control4 Corporation or its subsidiaries in the United States and/or other countries. All other names and brands may be claimed as the property of their respective owners. All specifications subject to change without notice





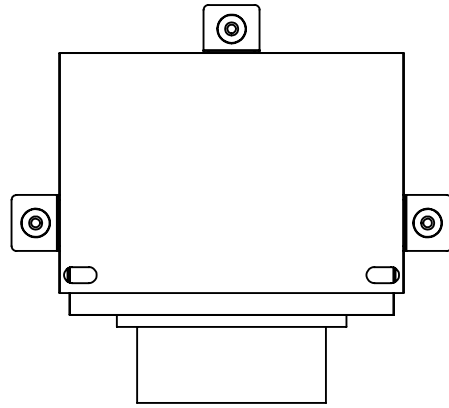
v1.0

TRIAD
15835 NE CAMERON BLVD
PORTLAND, OR 97230
www.triadaudio.com
503-256-2600

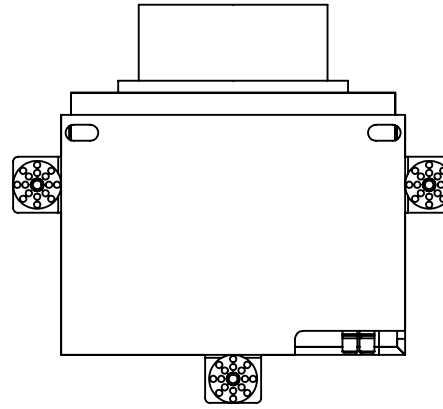
Mini FlexSub W Style InWall Grill

Copyright ©2018, Control4 Corporation. All rights reserved. Control4, the Control4 logo, the 4-ball logo, Triad, and the Triad logo, are registered trademarks or trademarks of Control4 Corporation or its subsidiaries in the United States and/or other countries. All other names and brands may be claimed as the property of their respective owners. All specifications subject to change without notice

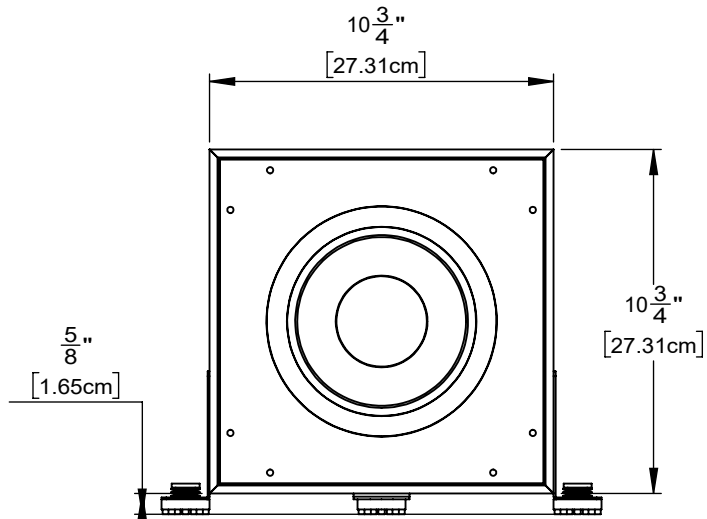
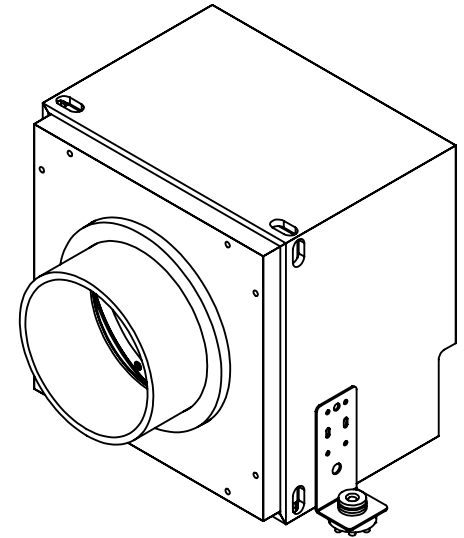
TRIAD



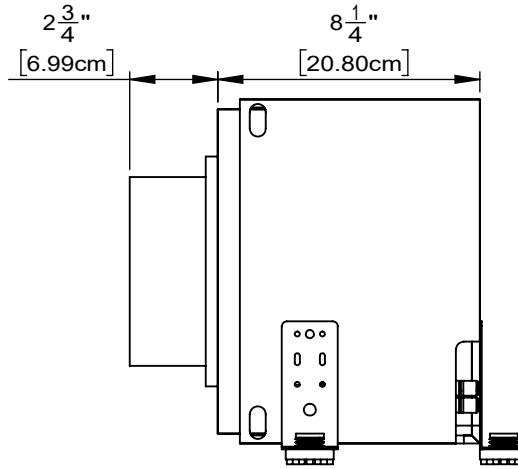
Top view



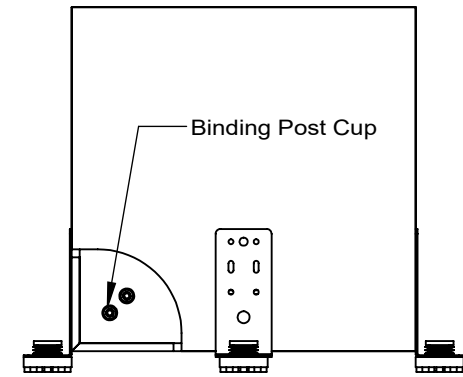
Bottom view



Front view



Right view



Binding Post Cup

Back view

v1.0

TRIAD
 15835 NE CAMERON BLVD
 PORTLAND, OR 97230
www.triadaudio.com
 503-256-2600

Mini FlexSub W Style InWall Grill

Copyright ©2018, Control4 Corporation. All rights reserved. Control4, the Control4 logo, the 4-ball logo, Triad, and the Triad logo, are registered trademarks or trademarks of Control4 Corporation or its subsidiaries in the United States and/or other countries. All other names and brands may be claimed as the property of their respective owners. All specifications subject to change without notice

