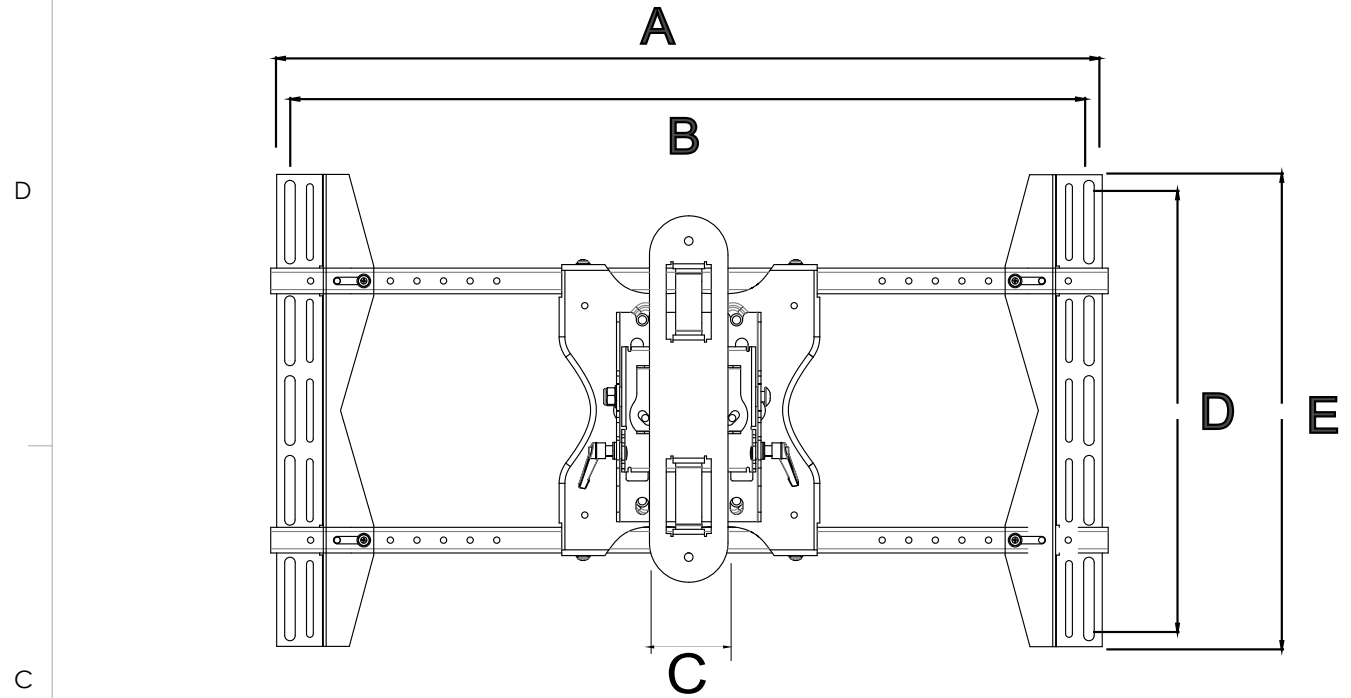
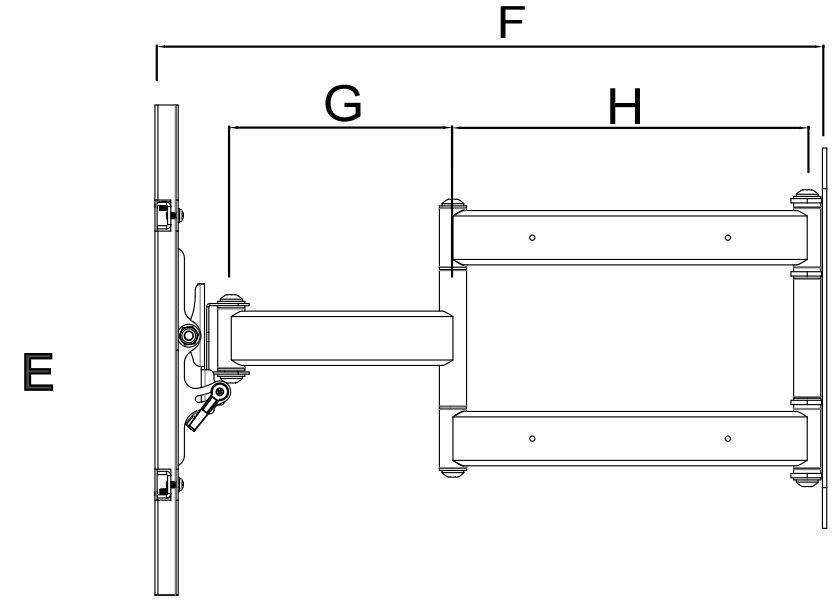


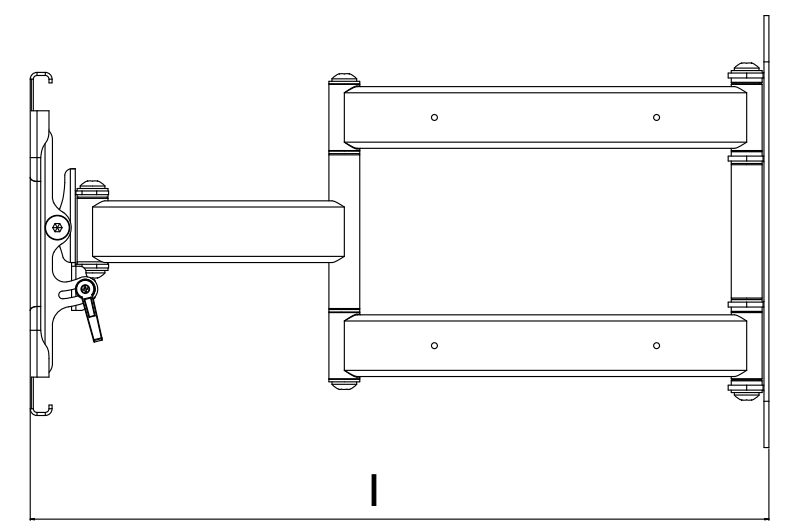
8 7 6 5 4 3 2 1



BACK VIEW

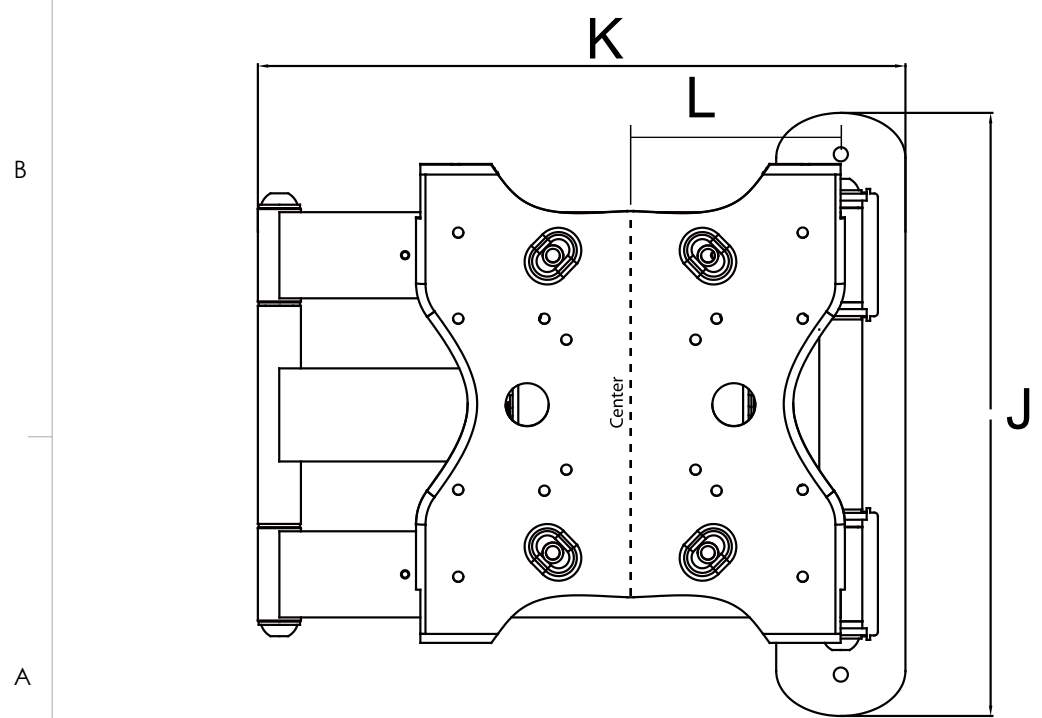


with adapter plate

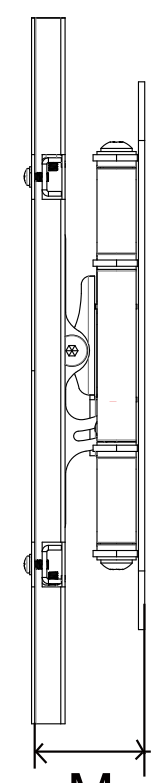


without adapter plate

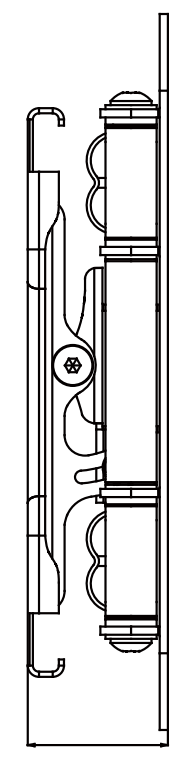
RIGHT VIEW EXTENDED



FRONT VIEW



with adapter plate



without adapter plate

RIGHT VIEW FOLDED

| DIMENSIONS | | |
|------------|--------|------------|
| A | 28.75" | (730mm) |
| B | 27.75" | (704.77mm) |
| C | 3" | (75.00mm) |
| D | 16.9" | (429.09mm) |
| E | 18.2" | (462.91mm) |
| F | 24.4" | (619.76mm) |
| G | 8" | (204.00mm) |
| H | 12.8" | (326.00mm) |
| I | 23.9" | (607.06mm) |
| J | 13.75" | (350.06mm) |
| K | 14.8" | (376.00mm) |
| L | 4.9" | (123.8mm) |
| M | 3.4" | (86.36mm) |
| N | 2.9" | (73.66mm) |

A B C D A B C D A

8 7 6 5 4 3 2 1