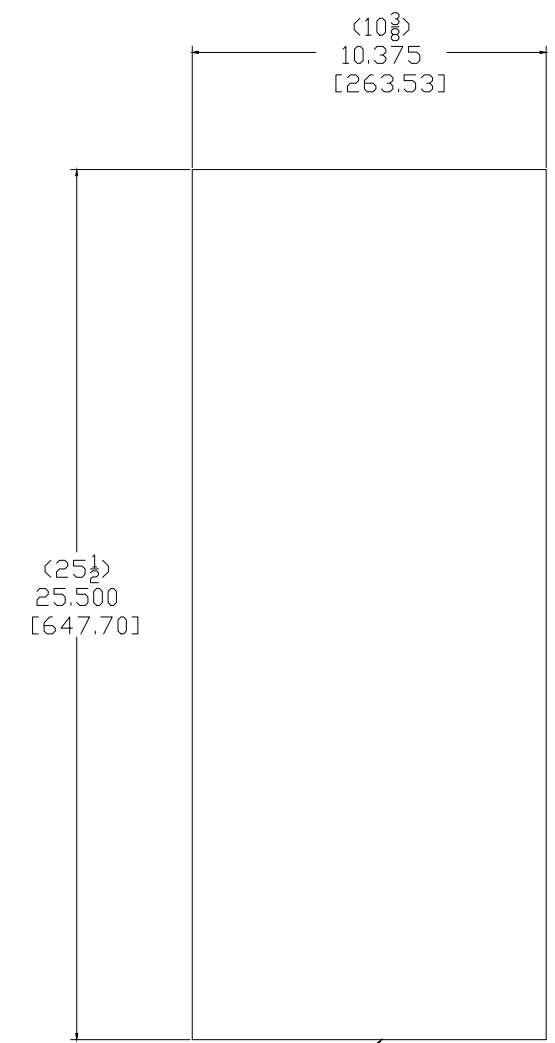
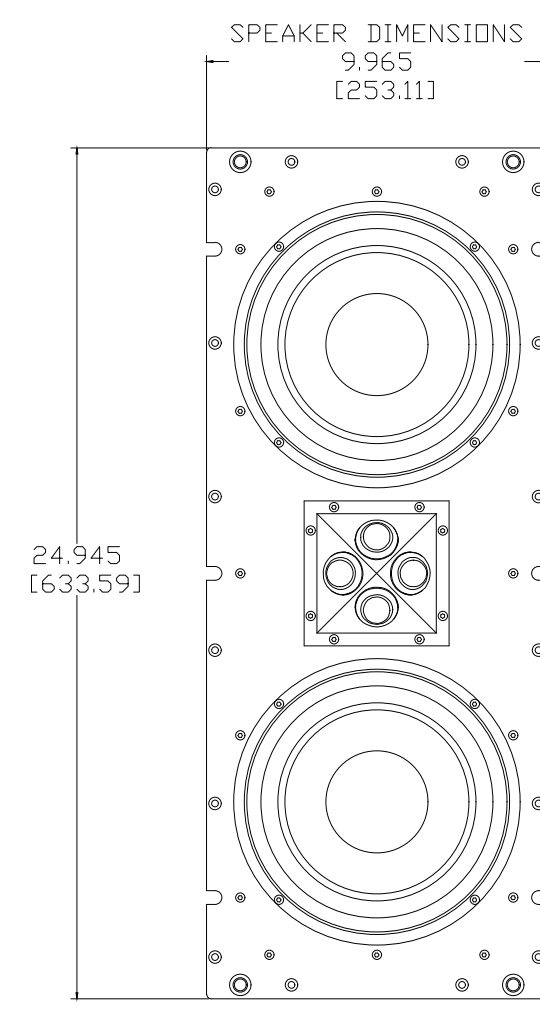
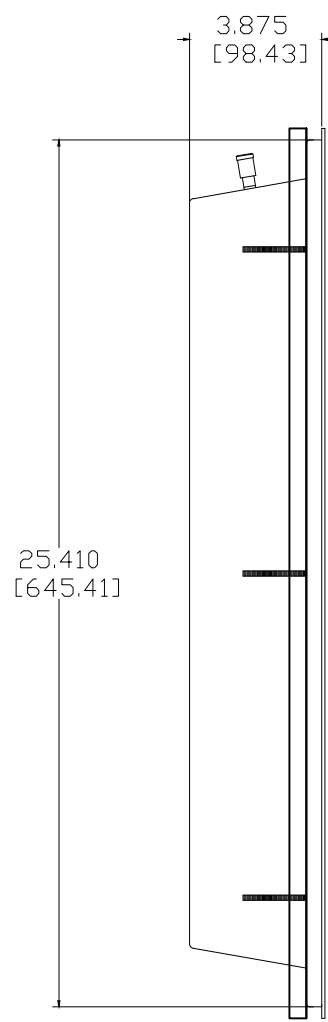
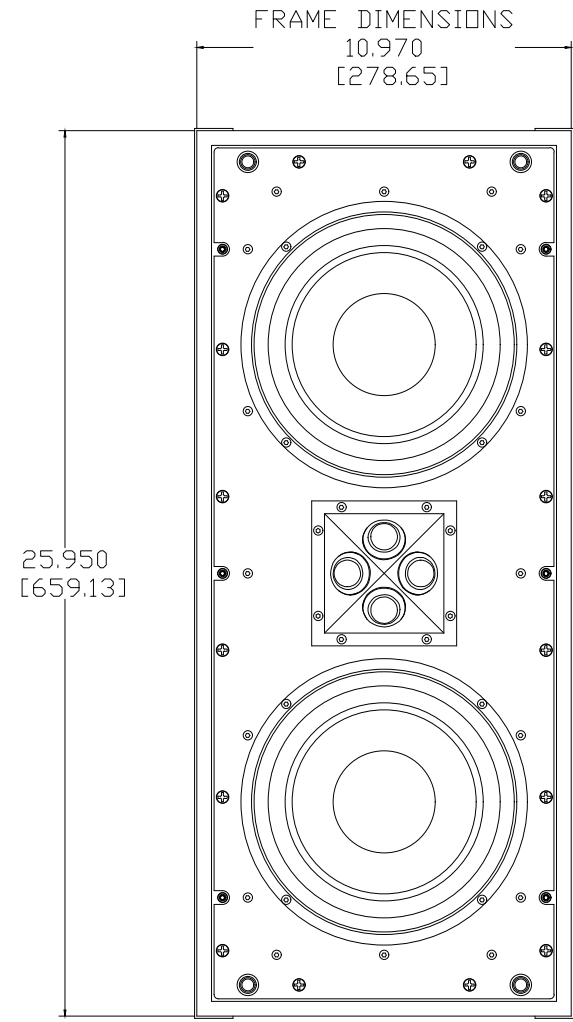
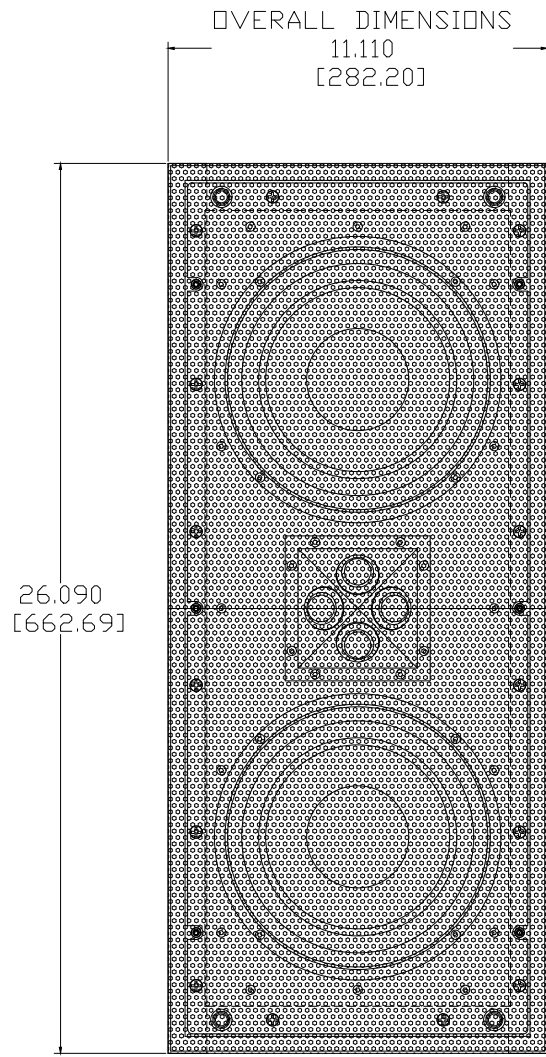
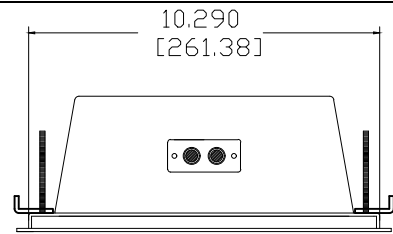
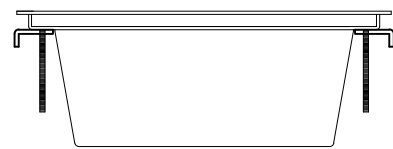


REV. NO.		DESCRIPTION	DATE	APPROVED
A		RELEASE FOR PRODUCTION	12-27-11	
B		MODIFIED PRE CONSTRUCTION BOARD	03-12-12	
C		ECN 13005 CHANGE TERMINAL SCREW HOLE SIZE/TAP	04-5-13	MATT GALLES
D		CHANGED BRACKET HOLE LOCATION	04-02-15	D. MEI



CUT OUT DIMENSIONS



<i>JAMES LOUDSPEAKER</i>	
<i>QX830</i>	
EXTERNAL DIMENSIONS	
P/N: -	DWR #: 111227-F00
REVISED BY:	
DRAWN BY: M. PARK	FILE:
DATE: 03-12-12	SCALE:
APPROVED:	
DRAFTING APPROVED:	
DO NOT SCALE DRAWING	
DRAWING NOT TO BE USED FOR CNC	
TOLERANCES: ANG: ± = .5° FRACT: ± = 1/32	
DECIMALS: .XX ± = .01 .XXX ± = .005	
REVISION: D	SHEET 1 OF 1