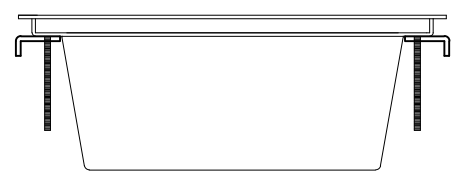
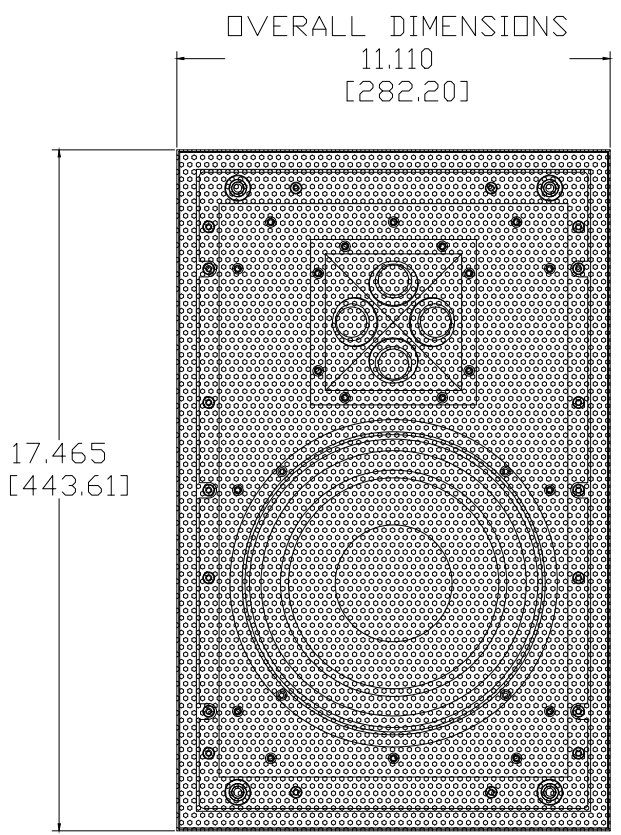
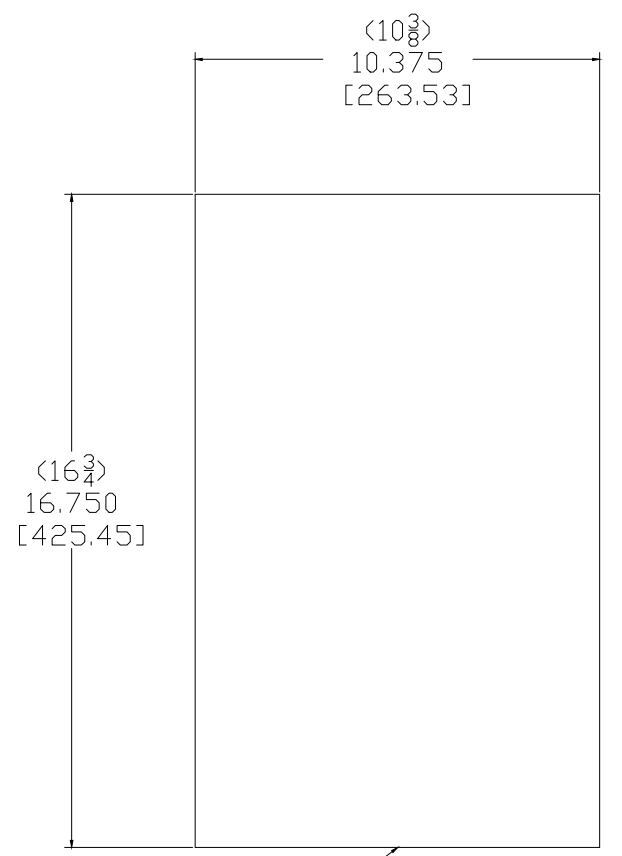
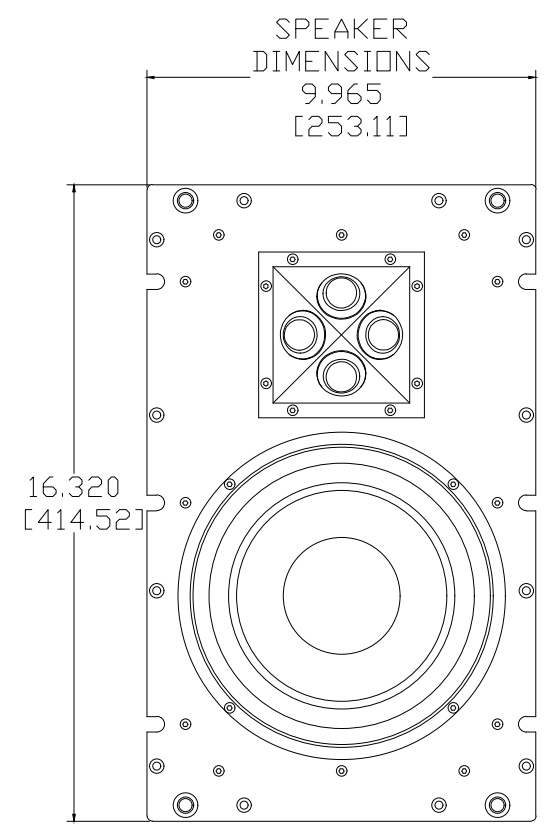
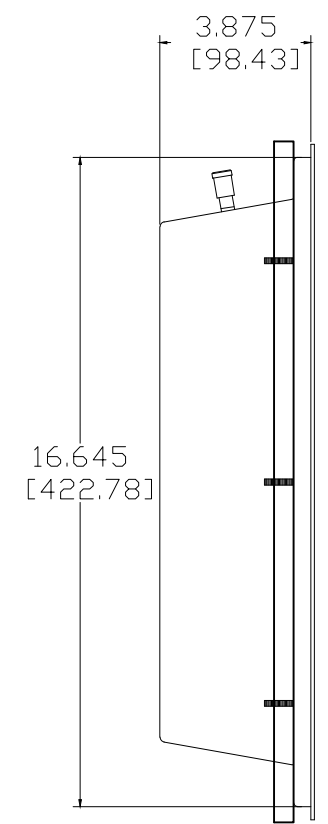
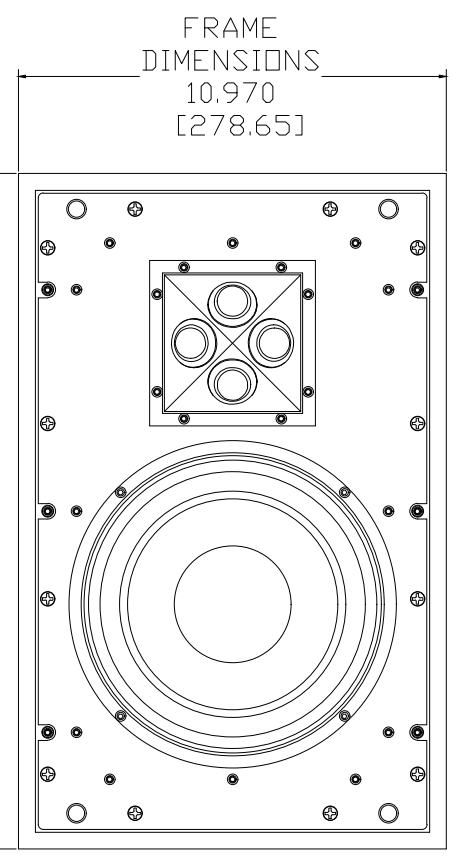
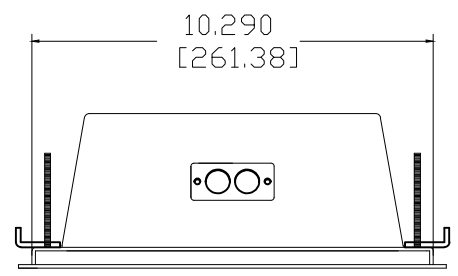


REV.:		DESCRIPTION	DATE	APPROVED
A		RELEASE FOR PRODUCTION	12-27-11	
B		MODIFIED PRE CONSTRUCTION BOARD	03-12-12	
C		WAS: UNCB-32 2PL IS: UNCB-32	08-22-12	
D		CHANGE BRACKET HOLE LOCATIONS	04-02-15	D. MEI



CUT OUT DIMENSIONS

JAMES LOUDSPEAKER	
QX820	
EXTERNAL DIMENSIONS	
P/N: -	DWR #: 111227-E00
REVISED BY:	
DRAWN BY: M. GALLES	FILE:
DATE: 03-12-12	SCALE:
APPROVED:	
DRAFTING APPROVED:	
DO NOT SCALE DRAWING	
DRAWING NOT TO BE USED FOR CNC	
TOLERANCES: ANG: ± = .5°	FRACT: ± = 1/32
DECIMALS: .XX ± = .01	.XXX ± = .005
REVISION: D	SHEET 1 OF 1