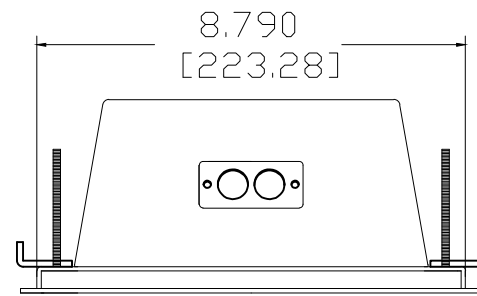
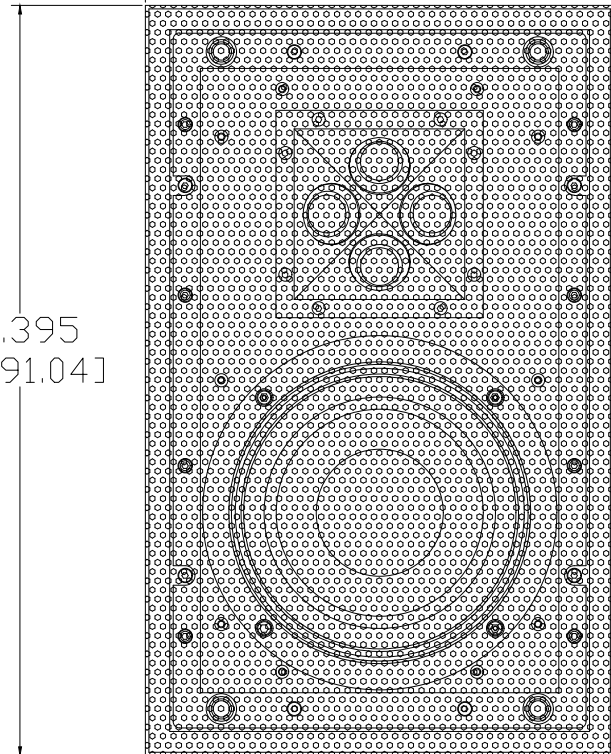


REVISIONS				
ECO	REV.	DESCRIPTION	DATE	APPROVED
	A	RELEASE FOR PRODUCTION	12-27-11	
	B	MODIFIED PRE CONSTRUCTION BOARD	03-12-12	
	C	ECN 13005 CHANGE TERMINAL SCREW HOLE SIZE/TAP	04-5-13	MATT GALLES
	D	CHANGED BRACKET HOLE LOCATIONS	04-03-15	D. MEI



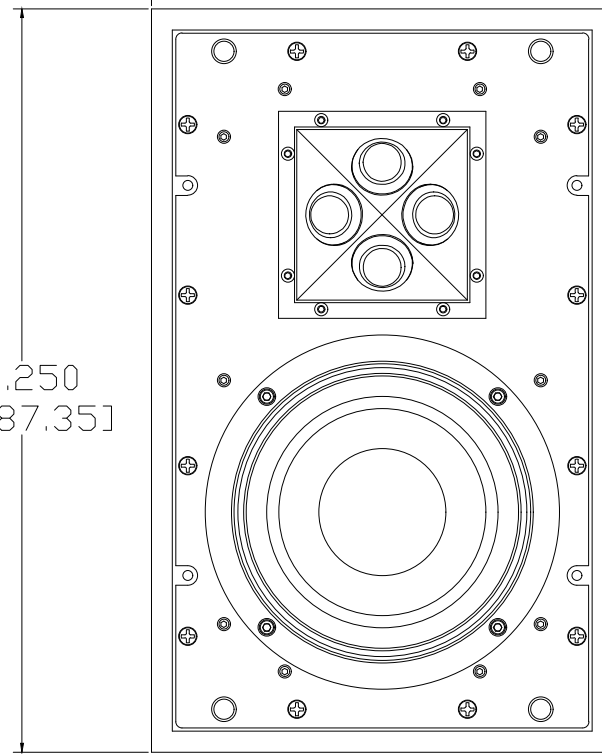
OVERALL  
DIMENSIONS  
9.610  
[244.10]

15.395  
[391.04]



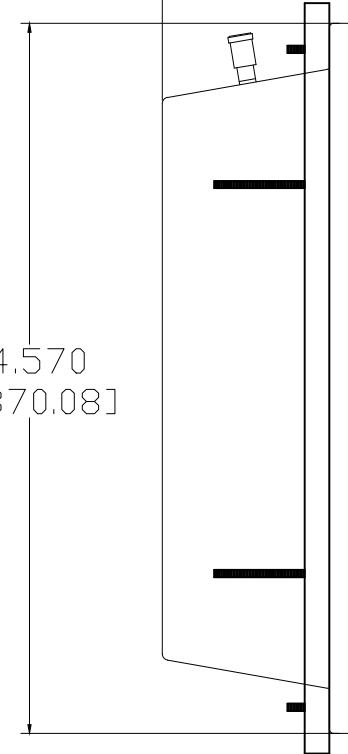
FRAME  
DIMENSIONS  
9.470  
[240.55]

15.250  
[387.35]



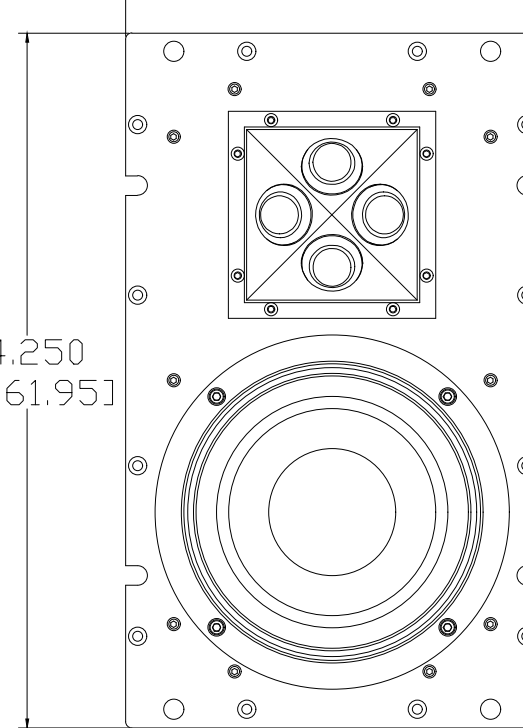
3.875  
[98.43]

14.570  
[370.08]



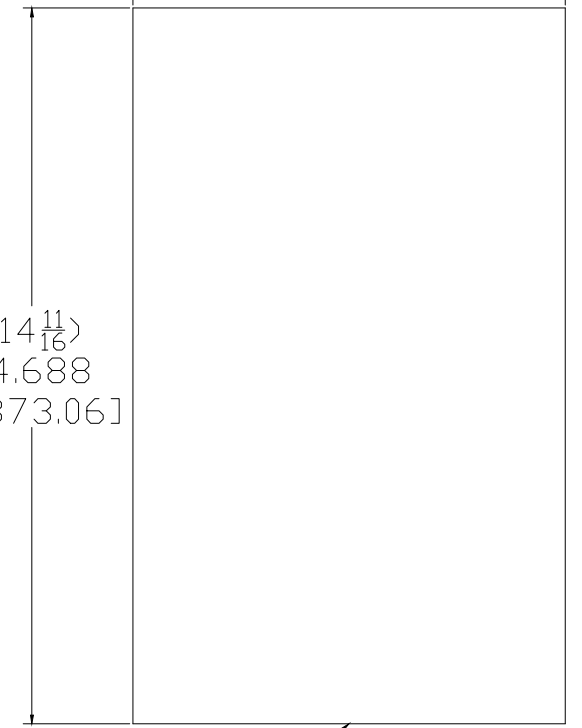
SPEAKER  
DIMENSIONS  
8.465  
[215.01]

14.250  
[361.95]

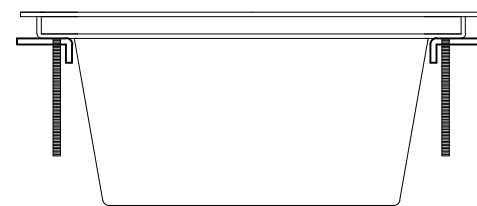


(8<sup>7</sup>/<sub>8</sub>)  
8.875  
[225.43]

(14<sup>11</sup>/<sub>16</sub>)  
14.688  
[373.06]



CUT OUT DIMENSIONS



JAMES LOUDSPEAKER

QX620

EXTERNAL DIMENSIONS

P/N: - DWR #: 111227-C00

REVISED BY:

DRAWN BY: M. GALLES FILE:

DATE: 03-12-12 SCALE:

APPROVED:

DRAFTING APPROVED:

DO NOT SCALE DRAWING

DRAWING NOT TO BE USED FOR CNC

TOLERANCES: ANG: ± = .5° FRACT. ± = 1/32

DECIMALS: .XX ± = .01 .XXX ± = .005

REVISION: D

SHEET 1 OF 1