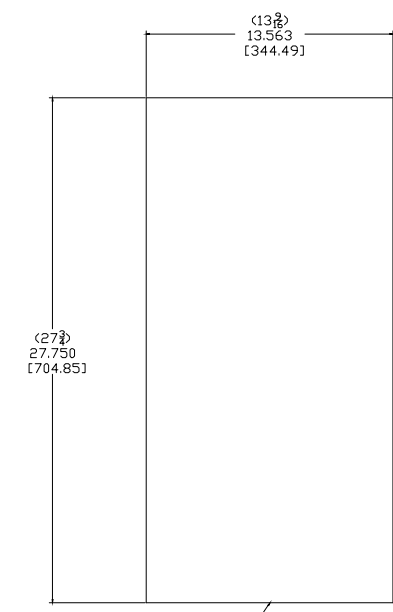
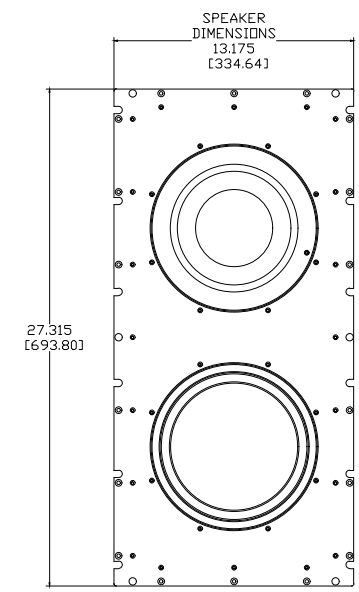
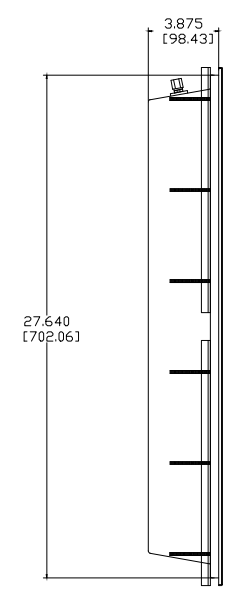
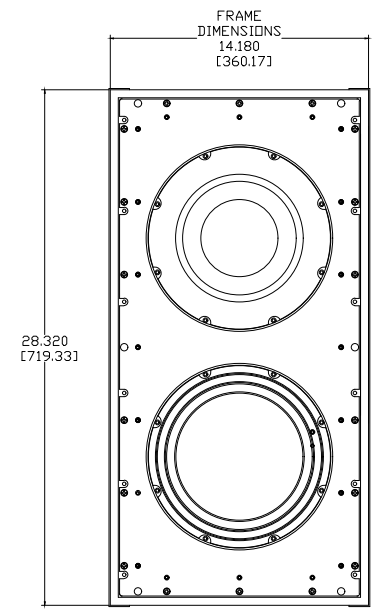
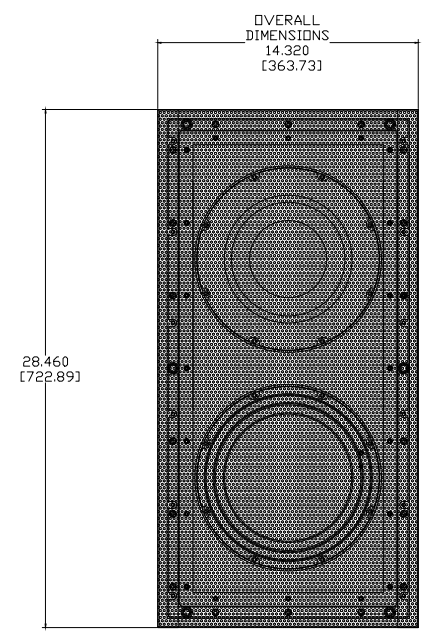
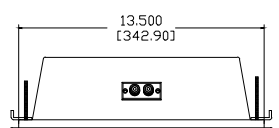
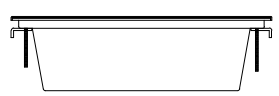


| REVISIONS | | | | |
|-----------|------|--|----------|------------|
| ECD | REV. | DESCRIPTION | DATE | APPROVED |
| | A | RELEASE FOR PRODUCTION | 12-27-11 | |
| | B | MODIFIED PRE CONSTRUCTION BOARD | 03-12-12 | |
| | C | ECN13005 CHANGE TERMINAL SCREW HOLE SIZE/TAP | 04-12-13 | |
| | D | ECN12009 USE MACHINED RINGS FOR WOOFFER AND PR | 08-19-13 | M. GALLES |
| | E | ADDED FRACTIONAL DIMENTIONS TO CUT OUT | 12-19-13 | K. EBELING |
| | F | CHANGED BRACKET HOLD LOCATION | 04-02-15 | D. MEI |



CUT OUT DIMENSIONS



NOTES:

- 1: 0.125" THICK 5052 ALUMINUM OTHERWISE SPECIFIED
- 2: FRONT PLATE-STUDIO BLACK FINISH
- 3: HOUSING-CLEAR COAT FINISH

| | |
|--|-------------------|
| JAMES LOUDSPEAKER | |
| QX1020 | |
| EXTERNAL DIMENSIONS | |
| P/N: - | DWR #: 111227-H00 |
| REVISED BY: | |
| DRAWN BY: M. GALLES | FILE: |
| DATE: 03-12-12 | SCALE: |
| APPROVED: | |
| DRAFTING APPROVED: | |
| DO NOT SCALE DRAWING | |
| DRAWING NOT TO BE USED FOR CNC | |
| TOLERANCES: ANG: ± = .5° FRACT. ± = 1/32 | |
| DECIMALS: .XX ± = .01 .XXX ± = .005 | |
| REVISION: F | SHEET 1 OF 1 |