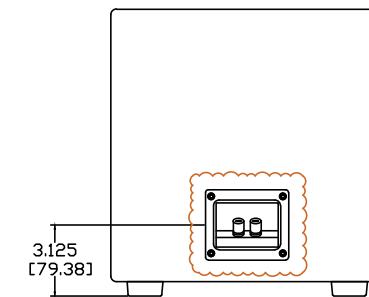
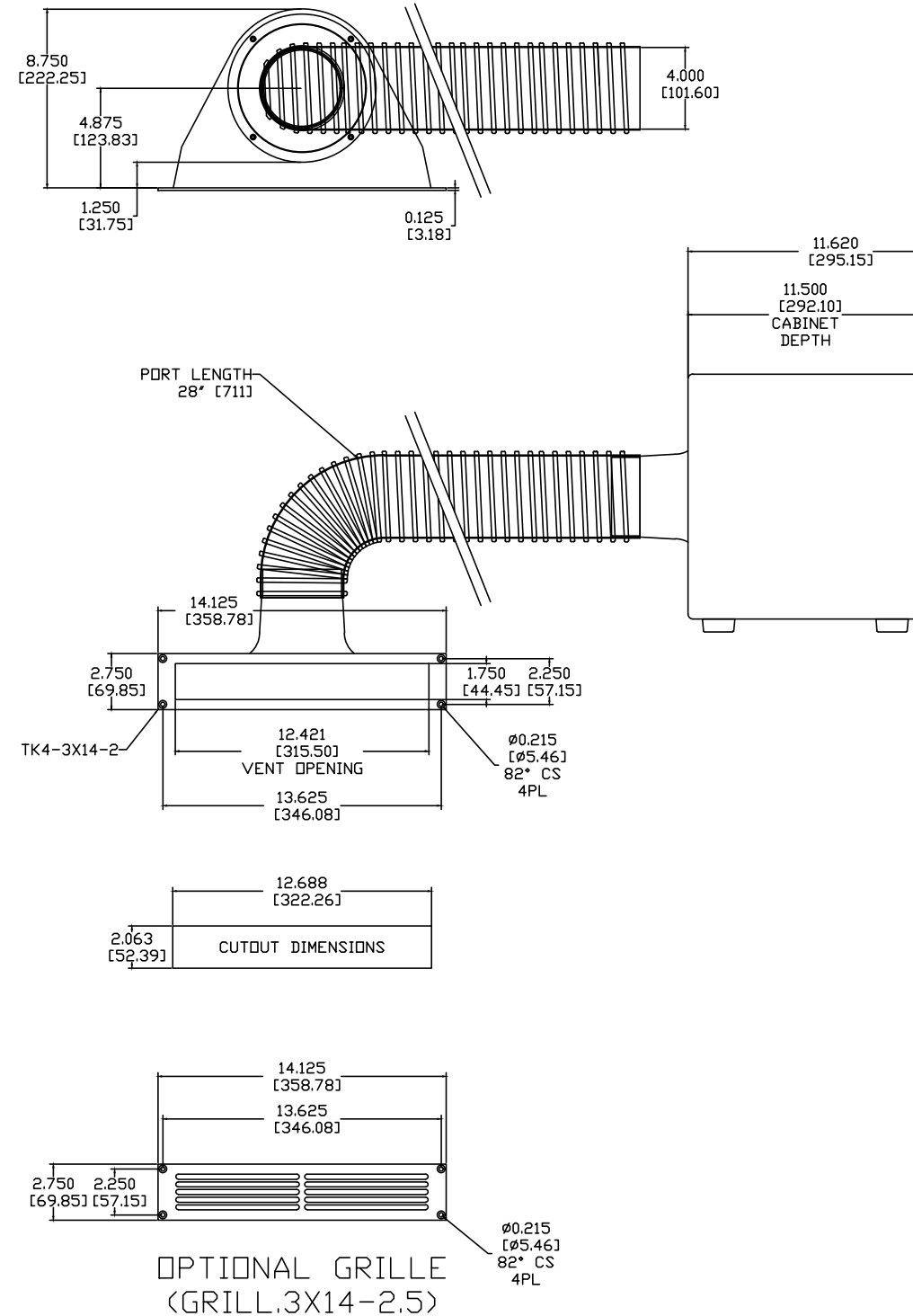
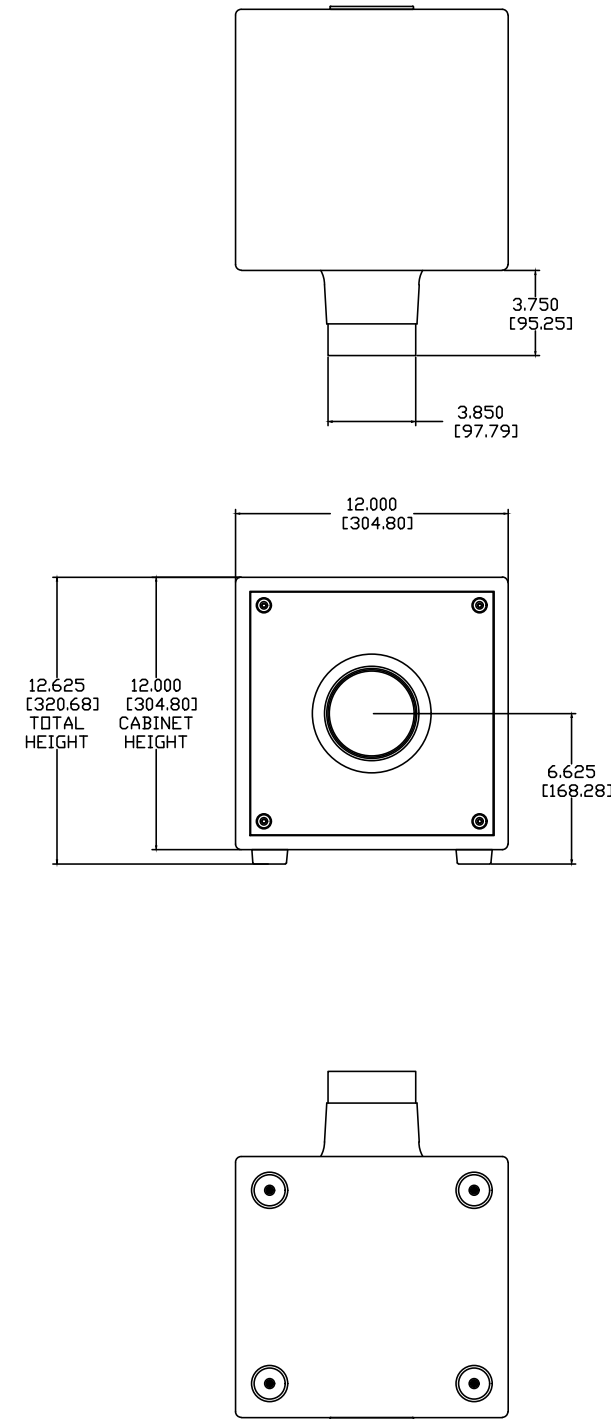
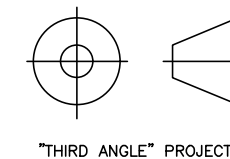


| REVISIONS | | | | |
|-----------|------|--|----------|----------|
| ECN | REV. | DESCRIPTION | DATE | APPROVED |
| | A | RELEASE FOR PRODUCTION | 09-20-06 | |
| | B | ADD PIPE AND TOEKICK | 08-21-15 | |
| | C | DRAWING UPDATED TO MATCH PRODUCTION | 11-14-18 | |
| 21037 | D | REMOVE LOGO, SWITCH TO TERM.006 SWITCH FROM 8-32 TEE NUTS TO BARBED INSERTS | 07-21-21 | |



NOTES:

- 1: MATERIAL - MDF WOOD
UNLESS OTHERWISE SPECIFIED
- 2: FINISH - STUDIO BLACK
UNLESS OTHERWISE SPECIFIED
- 3: PORT LENGTH - 4" DIA. @ 28" LONG



PROPRIETARY INFORMATION
THE DESIGNS, INFORMATION, AND DATA CONTAINED HEREIN ARE PROPRIETARY AND ARE SUBMITTED IN CONFIDENCE, AND SHALL NOT BE DISCLOSED, USED OR DUPLICATED IN WHOLE OR IN PART, FOR ANY PURPOSES WHATSOEVER, WITHOUT THE PRIOR WRITTEN PERMISSION OF JAMES LOUDSPEAKER LLC, 2185 PARK PL, MINDEN, NV 89423. THIS LEGEND SHALL BE MARKED ON ANY REPRODUCTIONS HEREOF IN WHOLE OR IN PART. RECEIPT OF THIS DOCUMENT SHALL BE DEEMED TO BE AN ACCEPTANCE OF THE CONDITIONS SPECIFIED HEREIN.

JAMES LOUDSPEAKER

PP10

EXTERNAL DIMENSIONS

P/N: -

DWR #: 150821-K200

REVISED BY: S. LOESCH

DRAWN BY: M. PARK

DATE: 09-20-06

APPROVED:

DRAFTING APPROVED:

SCALE:

TOLERANCES: ANG: $\pm = .5^\circ$ FRACT. $\pm = 1/32$
DECIMALS: .XX $\pm = .01$.XXX $\pm = .005$

REVISION: D