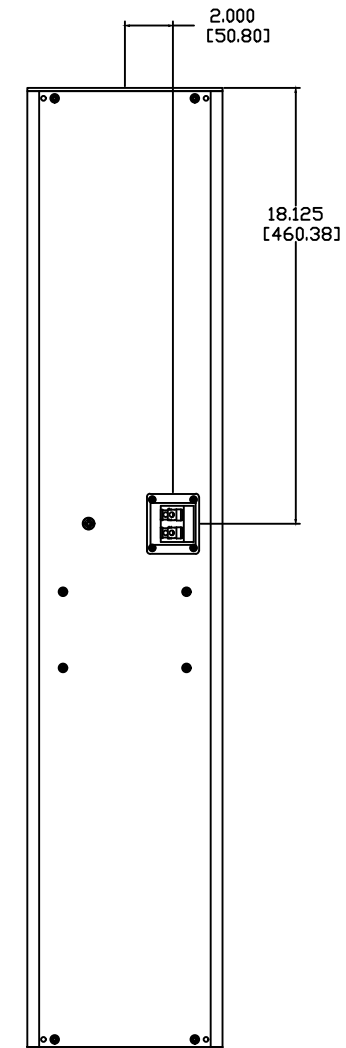
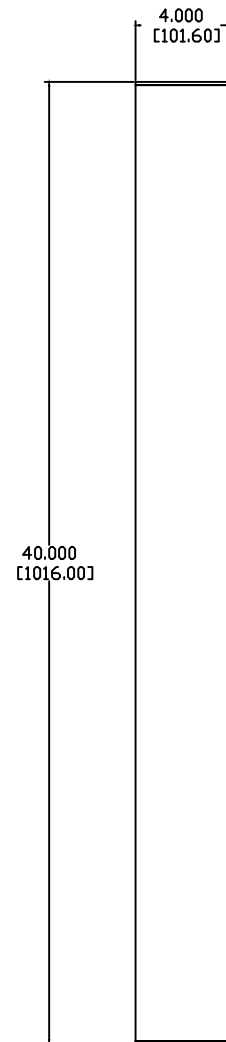
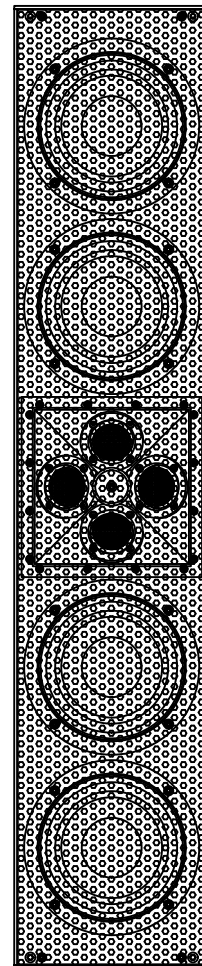
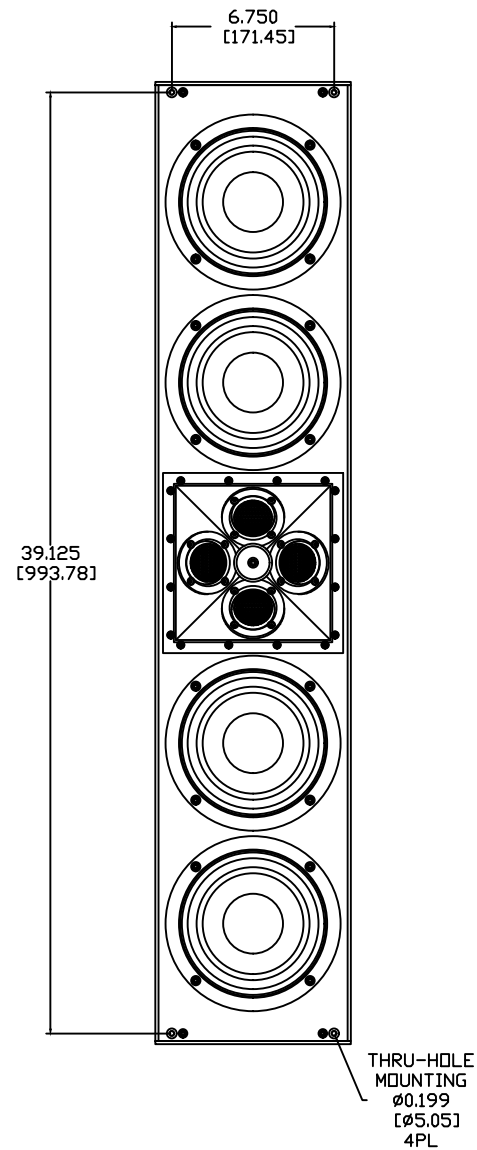
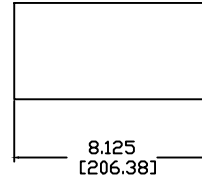
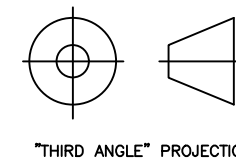


REVISIONS				
ECN	REV.	DESCRIPTION	DATE	APPROVED
	A	RELEASE FOR PRODUCTION	10-31-14	
	B	REVISED TO SPL TERMINAL	09-08-17	
18039	C	ADDED XOVER MOUNTING LOCATIONS	08-29-18	
20046	D	DRAWING UPDATED, 70V OPTION ADDED	10-05-20	
21050	E	UPDATE WITH BUTYL TAPE END CAPS SWITCHED TO BERYLLIUM QUAD ON NON-MARINE	09-21-21	



NOTES:

- 1: MATERIAL - SPL6 EXTRUSION UNLESS OTHERWISE SPECIFIED
- 2: FINISH: TBD
- 3: MARINE CONFIGURATION USES QUAD TITANIUM TWEETER



PROPRIETARY INFORMATION
 THE DESIGNS, INFORMATION, AND DATA CONTAINED HEREIN ARE PROPRIETARY AND ARE SUBMITTED IN CONFIDENCE, AND SHALL NOT BE DISCLOSED, USED OR DUPLICATED IN WHOLE OR IN PART, FOR ANY PURPOSES WHATSOEVER, WITHOUT THE PRIOR WRITTEN PERMISSION OF JAMES LOUDSPEAKER LLC, 2185 PARK PL, MINDEN, NV 89423. THIS LEGEND SHALL BE MARKED ON ANY REPRODUCTIONS HEREOF IN WHOLE OR IN PART. RECEIPT OF THIS DOCUMENT SHALL BE DEEMED TO BE AN ACCEPTANCE OF THE CONDITIONS SPECIFIED HEREIN.

JAMES LOUDSPEAKER

OW68QBE

EXTERNAL DIMENSIONS

P/N: -

DWR #: 141031-Z00

REVISED BY: L. PETERSON

DRAWN BY: K. EBELING

DATE: 10-31-14

APPROVED:

DRAFTING APPROVED:

SCALE:

TOLERANCES: ANG: ± = .5° FRACT. ± = 1/32
 DECIMALS: .XX ± = .01 .XXX ± = .005

REVISION: E