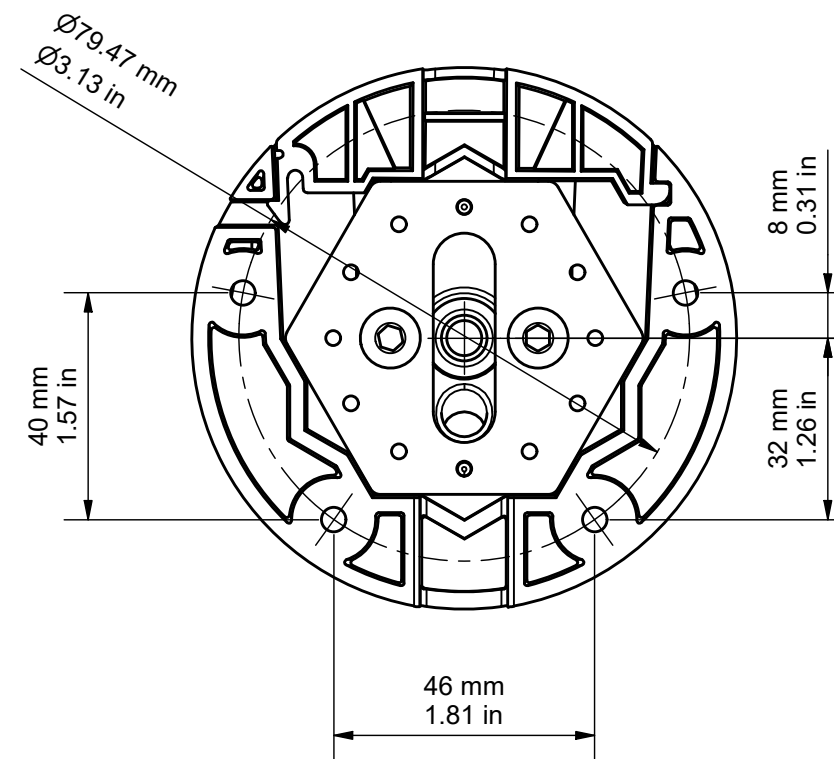
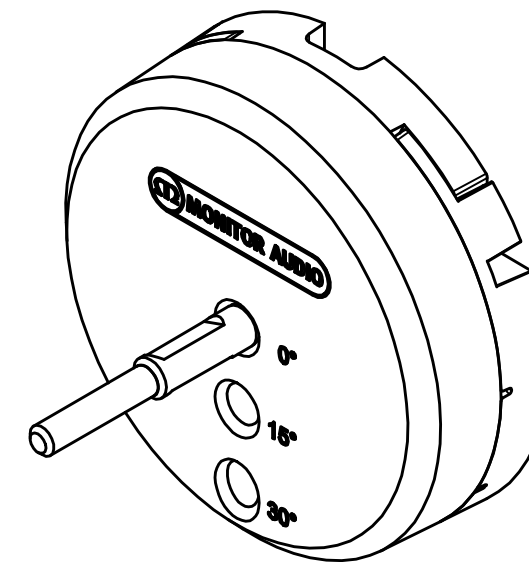
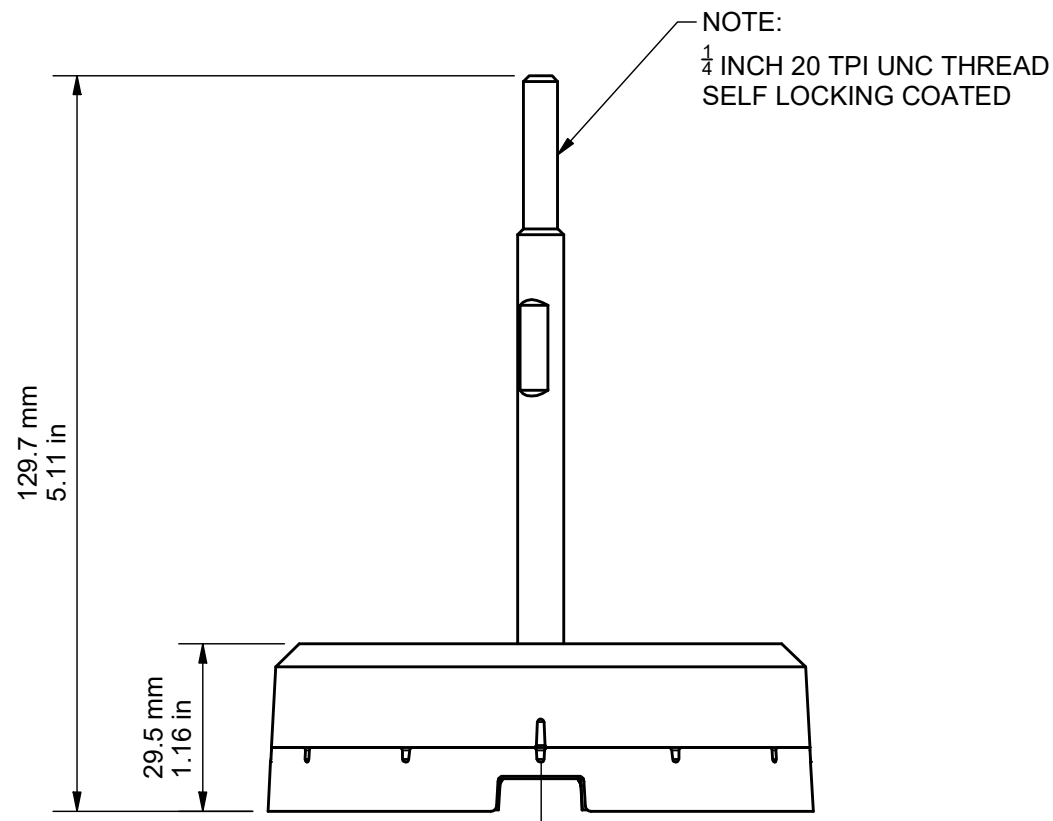
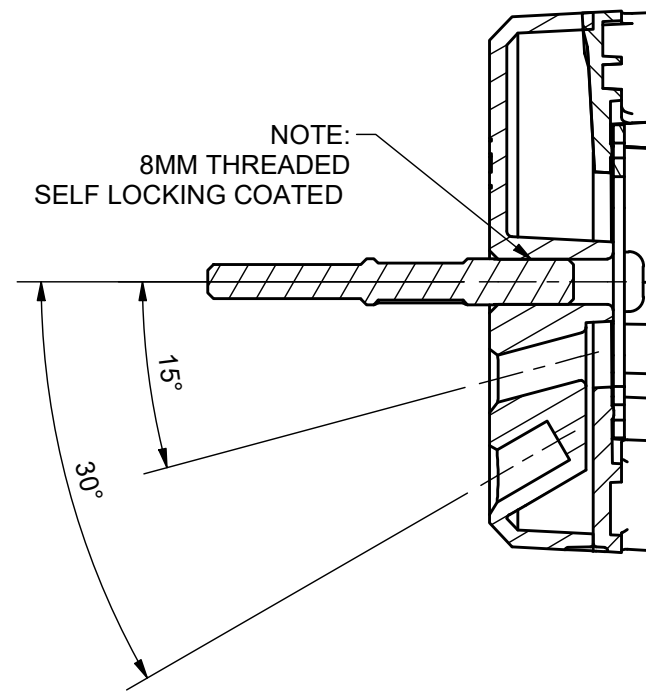


NOTE:
 $\frac{1}{4}$ INCH 20 TPI UNC THREAD
 SELF LOCKING COATED



A-A



DRAWING FOR REFERENCE ONLY

FIX-M



RANGE: ACCESSORIES / BRACKETS

© COPYRIGHT MONITOR AUDIO

06/05/2020

