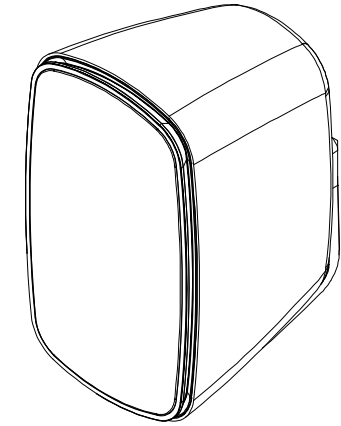
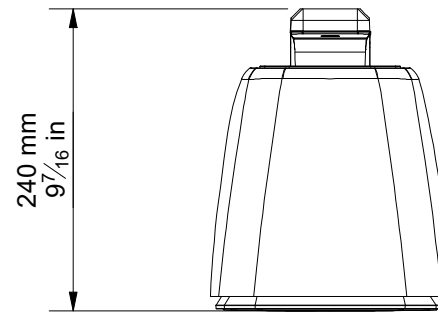
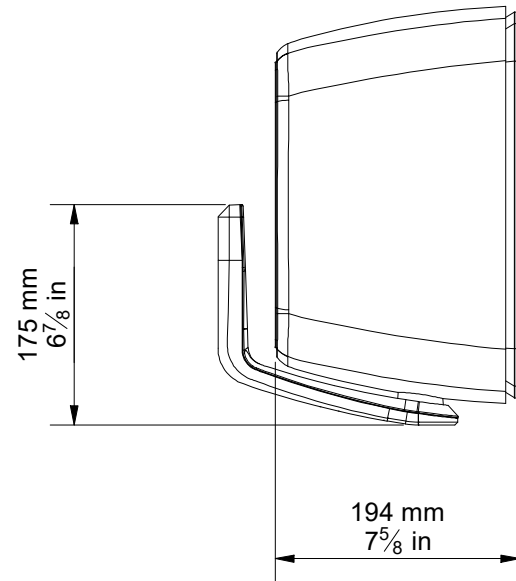


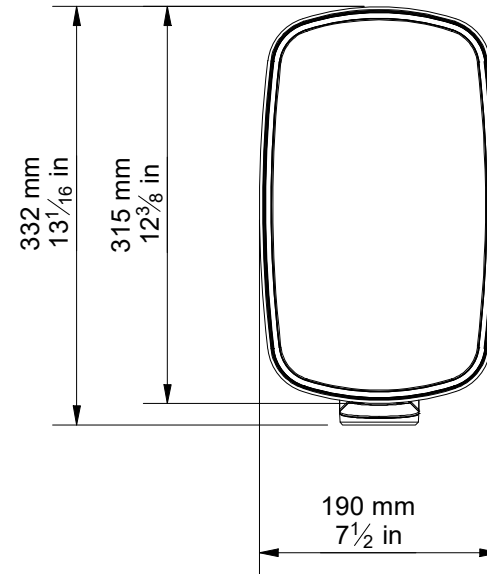
TOP



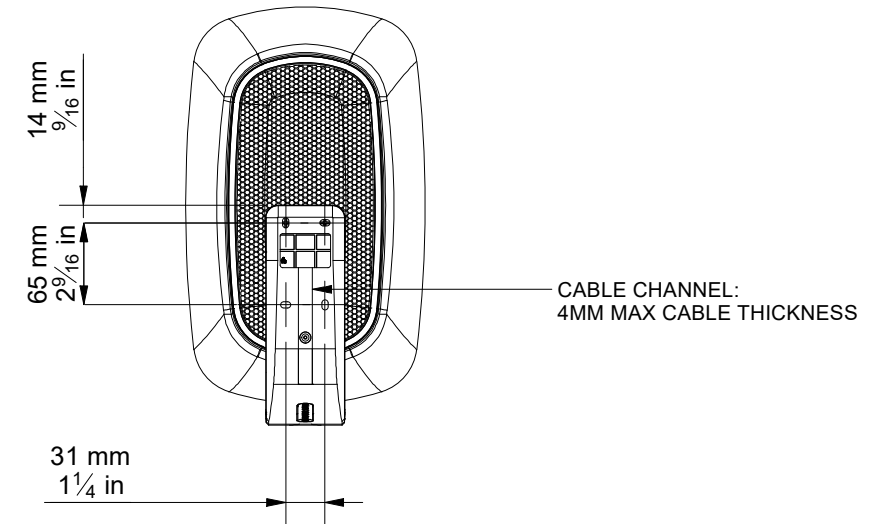
SIDE



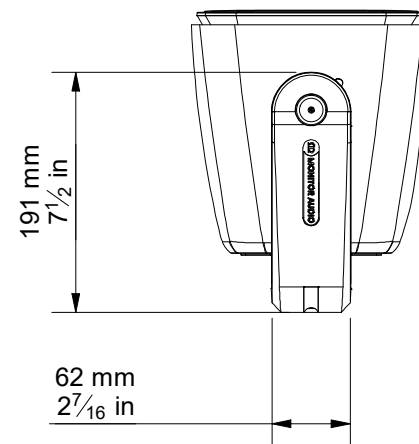
FRONT



REAR



BASE



DRAWING FOR REFERENCE ONLY

CL2-M



RANGE: CLIMATE SERIES

© COPYRIGHT MONITOR AUDIO

23/04/2024

