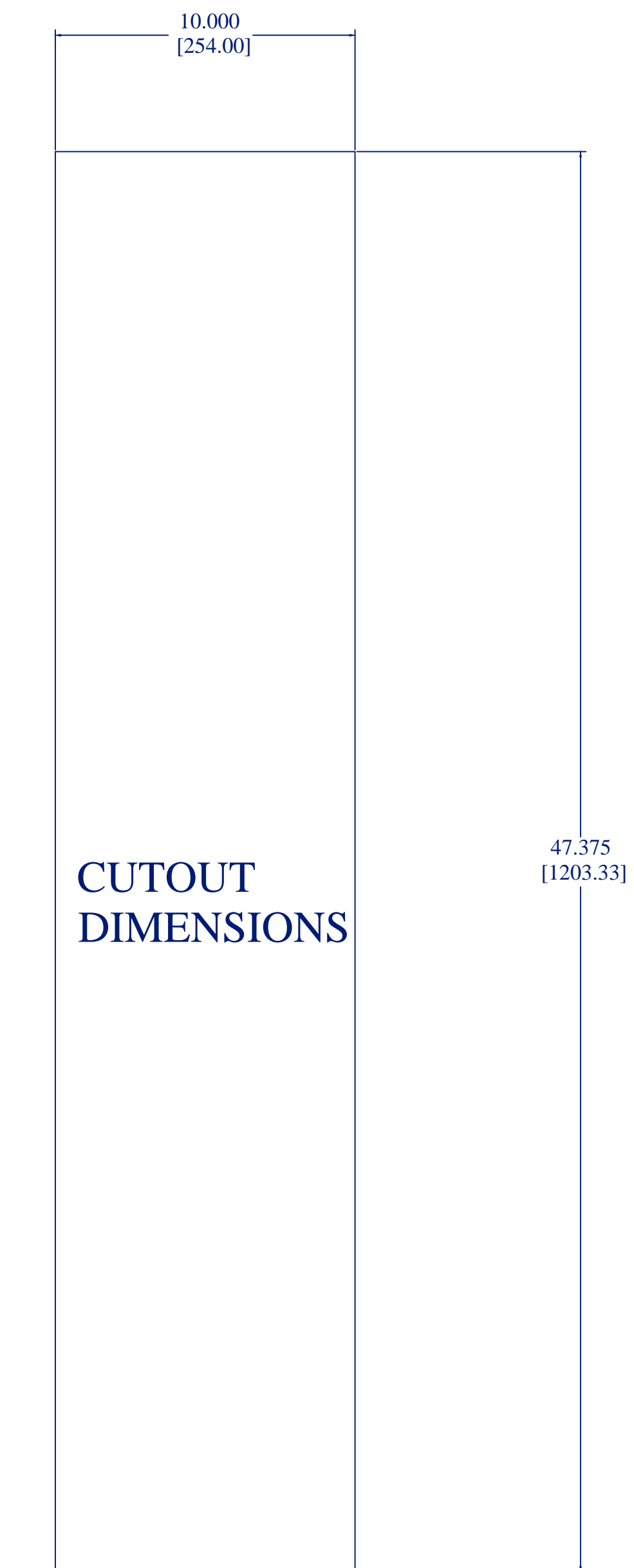
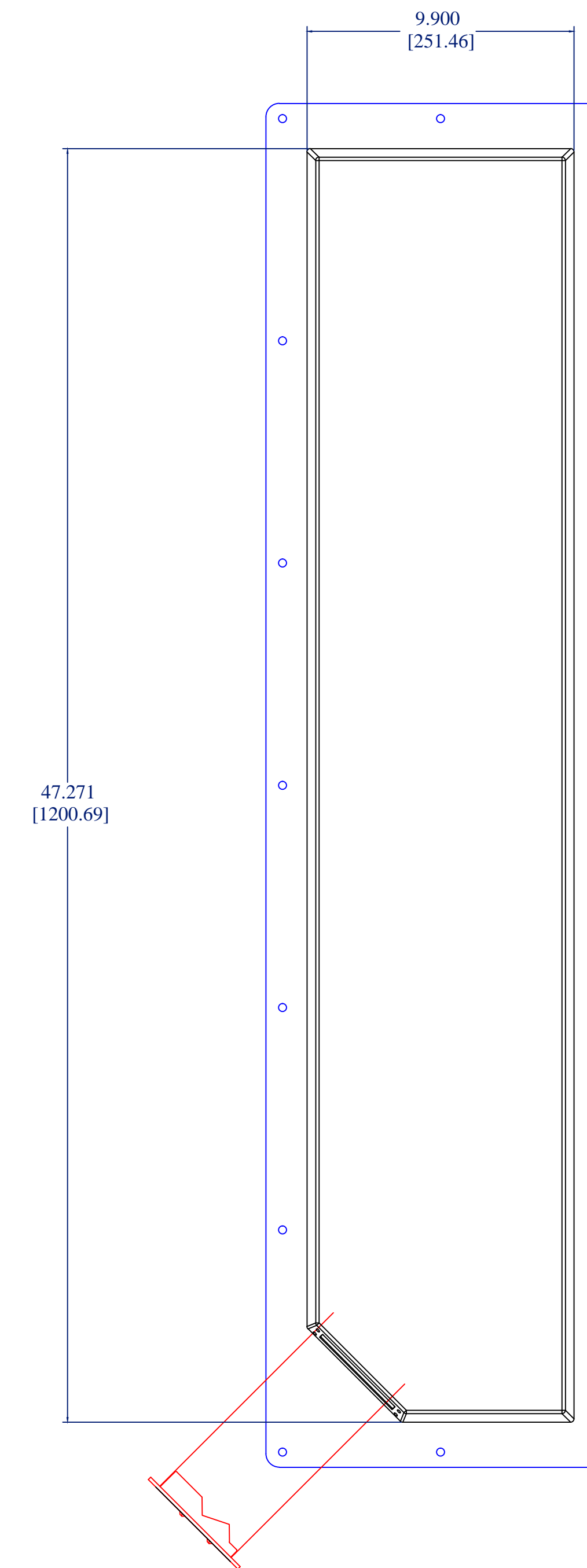
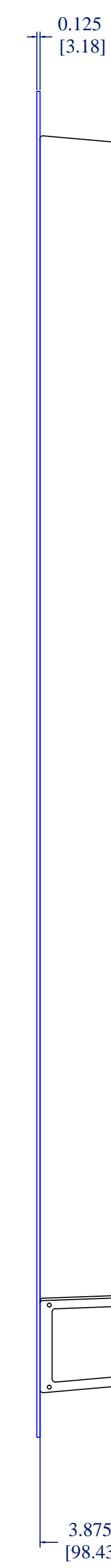
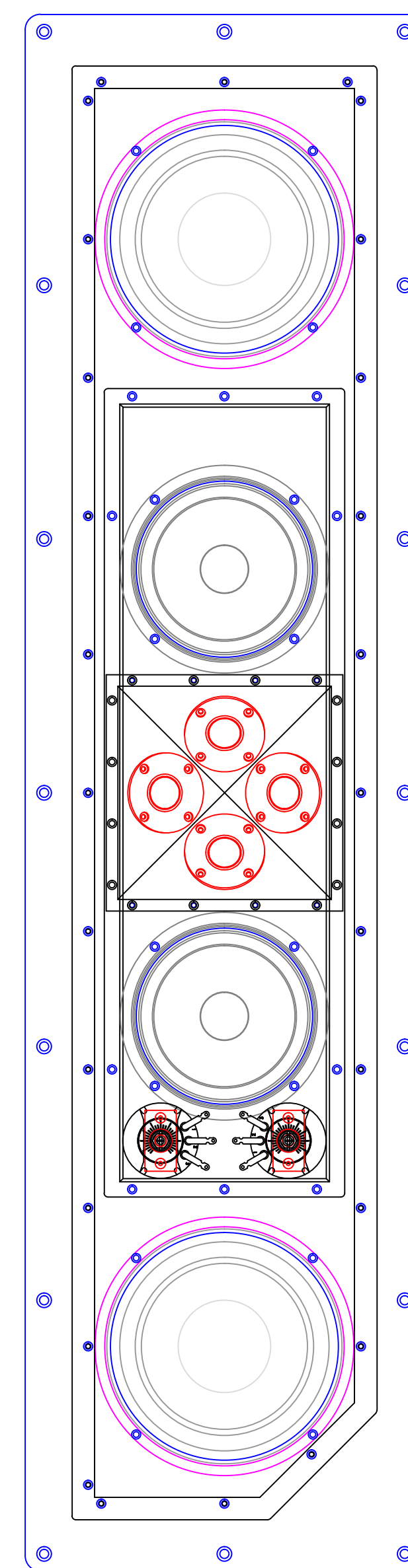
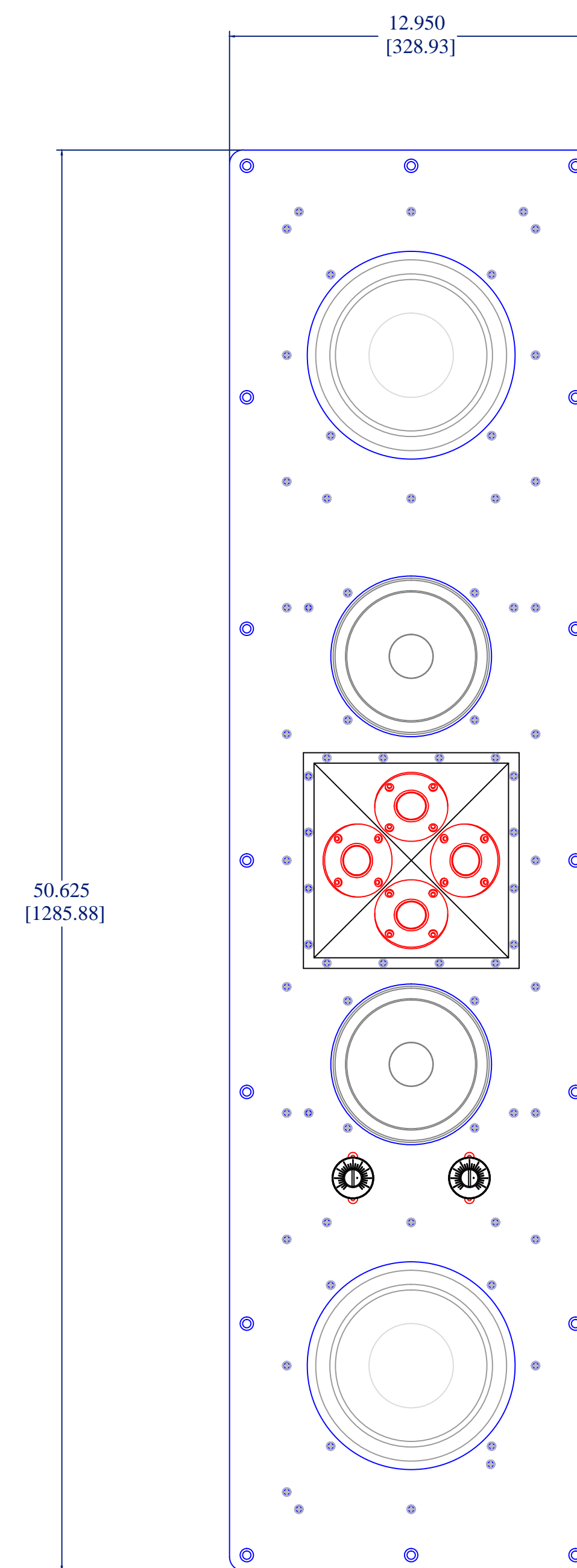


		REVISIONS		
ECO	REV.	DESCRIPTION	DATE	APPROVED
	B	RELEASE FOR PRODUCTION	02-25-09	



**NOTES:**

- FRONT PLATE- MATERIAL: 0.125" 5052 ALUMINUM  
FINISH: BLACK POWDER COATED
- BACK HOUSING- MATERIAL: 0.125" 5052 ALUMINUM  
FINISH: NATURAL  
UNLESS OTHERWISE SPECIFIED

<i>JAMES LOUDSPEAKER</i>	
<i>808BE</i>	
ASSEMBLY	
P/N: -	DWR #: 151030-K101
REVISED BY:	
DRAWN BY: M. PARK	FILE:
DATE: 02-25-09	SCALE:
APPROVED:	
DRAFTING APPROVED:	
DO NOT SCALE DRAWING	
DRAWING NOT TO BE USED FOR CNC	
TOLERANCES: ANG: ± = .5° FRACT. ± = 1/32	
DECIMALS: .XX ± = .01 .XXX ± = .005	
REVISION: B	SHEET 1 OF 1